

PART NUMBER: CMS0401KL-3X

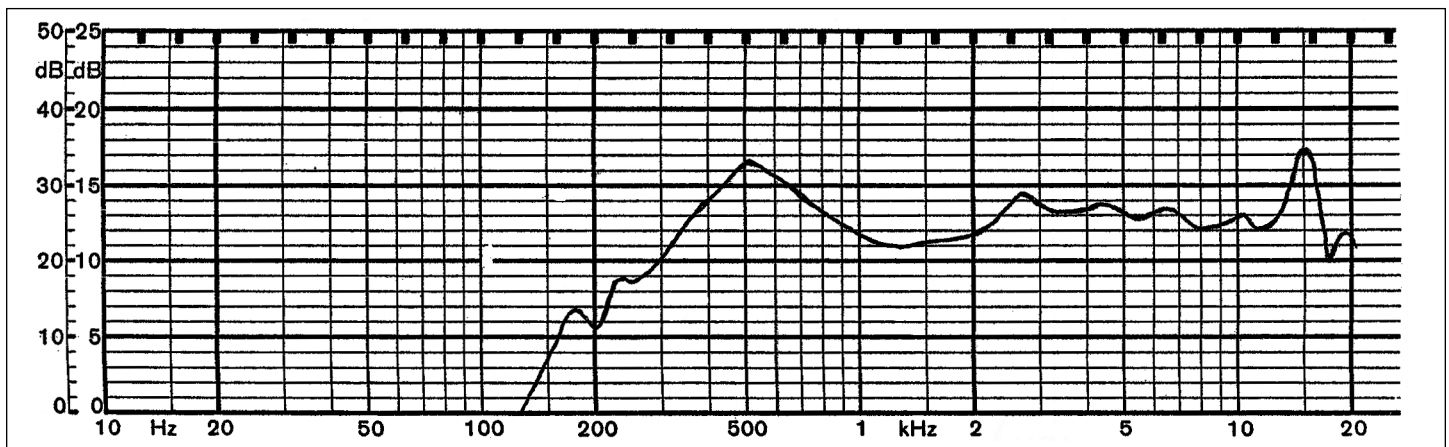
DESCRIPTION: speaker

SPECIFICATIONS

| | | | |
|----------------------|--------------------------------------|-------------------|--|
| nominal size | 40.1 x 40.1 x 14.5 mm | | |
| impedance | 8 Ohm \pm 15% | at | 1 kHz 1 V |
| resonant frequency | 440 Hz \pm 88 Hz | at | 1 V |
| sound pressure level | 86 dB/W \pm 3 dB | 1 W | 50 cm ave. at 0.6 k, 0.8 k, 1.0 k, 1.2 kHz |
| response | Fo Hz ~ 20 kHz max 10 dB | | |
| input power | nominal 5 W | handling capacity | 8 W |
| operation | must be normal at program source 5 W | | |
| buzz, rattle, etc. | must be normal at sine wave 6.32 V | | |
| magnet | size: 24.5 x 3.5 mm | | |
| load test | white noise 5 W | for | 24 hours |
| heat test | 75 \pm 2° C | 20-50% R.H. | 24 hours |
| humidity test | 40 \pm 2° C | 90-95% R.H. | 24 hours |

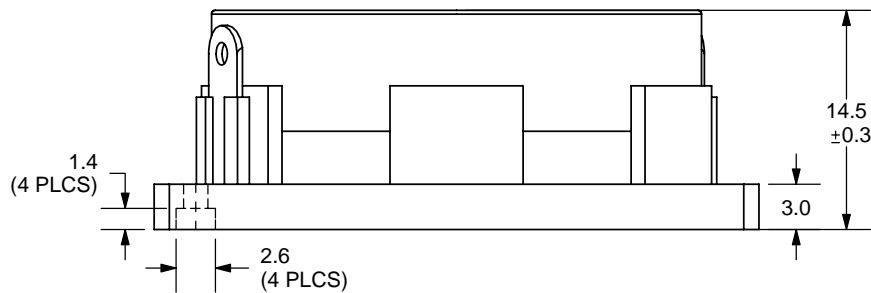
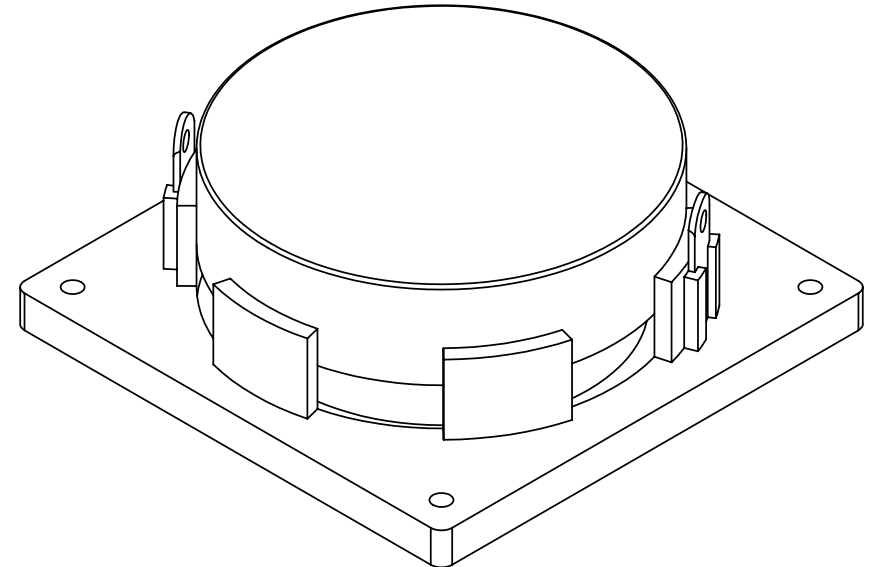
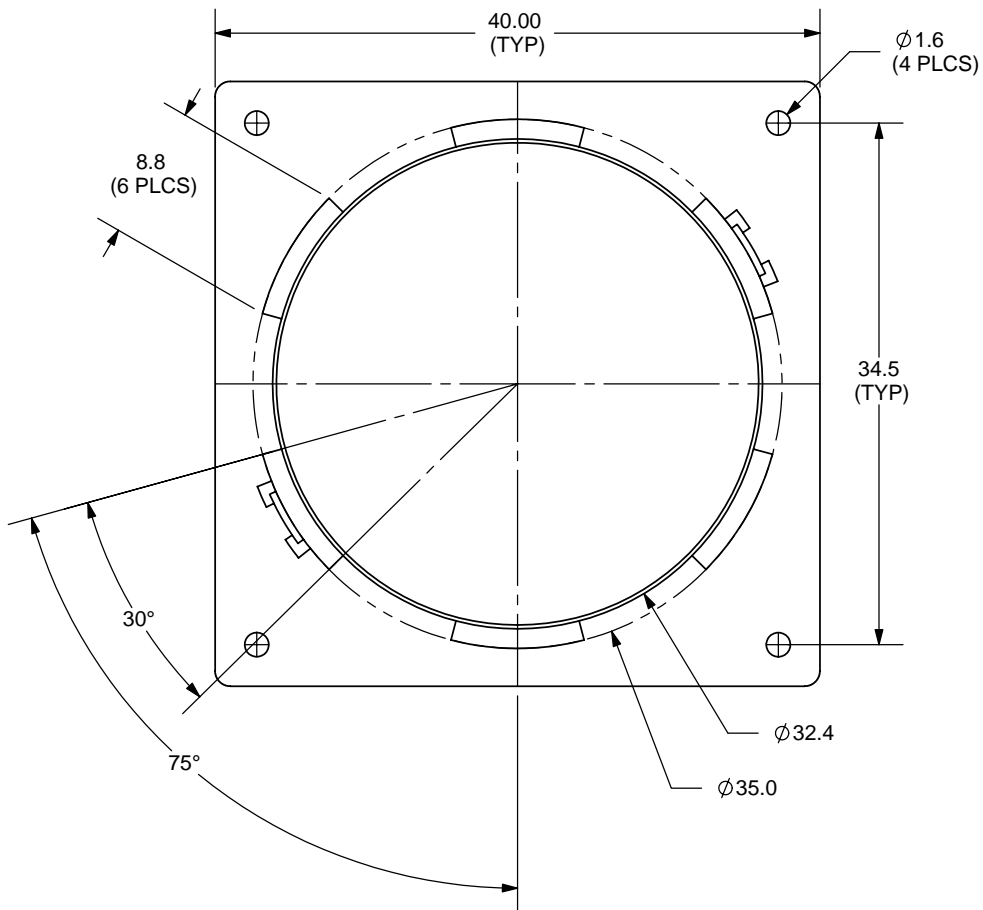
FREQUENCY RESPONSE CURVE

| | |
|-----------------------|------------|
| potentiometer range | 50 dB |
| rectifier | RMS |
| lower limit frequency | 20 Hz |
| wr. speed | 100 mm/sec |



zero level 60 dB

| REV. | DESCRIPTION | DATE |
|------|-------------|-----------|
| A | NEW DRAWING | 10/2/2006 |



TOLERANCE:
±0.2mm UNLESS OTHERWISE
SPECIFIED



20050 SW 112th Ave.
Tualatin, OR 97062
Phone: 503-643-4899
800-275-4899
Fax: 503-372-1266
Website: www.cui.com

| | | |
|----------------------------------|--------------|--------------------|
| TITLE: MINIATURE MONITOR SPEAKER | | REV: A |
| PART NO. CMS0401KL-3X | | UNITS: MM [INCHES] |
| DRAWN BY: ZRJ | APPROVED BY: | SCALE: 2:1 |

PC FILE NAME:
CMS0401KL-3X

COPYRIGHT 2006 BY CUI INC.